

Model:UT-8812  
USB/RS-232  
Commercial interface converter

Instruction Manual



# 【Contents】

1. Overview .....	3
2. Main Features .....	3
3. Hardware installation and application.....	3
4. Performance parameters .....	4
5. Connector and signals .....	4
6. Product dimension and connection diagram.....	5
7. Fault and trouble-shooting .....	6
8. driver installation procedure.....	6-13

## **I . Overview**

USB interface is gradually replacing the old-fashioned low-speed peripheral interfaces of PC with the continuous development of PC industry. But many vital devices in current industrial environment is still designed using RS-232 interface, so the USB to RS-232 converters are needed to transfer data between PC and RS-232 devices.

UT-8812 is a universal USB 2 port RS-232 converter which doesn't need external power supply and is compatible with USB and RS-232 standards. It can convert single-end USB signal to RS-232 signal, and it has built-in automatic transmit-receive switch without time delay. The unique I/O circuit can be used to automatically control the direction of data flow so as to make it plug-and-play and applicable to all existing communication software and interface hardware.

UT-8812 supports point-to-point communication with data rate of 300-921600bps. The power indicator and data traffic indicator lights can be used for fault indication. USB to RS-232 conversion is supported.

## **II . Main Features**

Following communication modes are supported by UT-8812 interface converter:

- 1) Point-to-point communication mode

## **III. Hardware installation and application**

Please read this manual thoroughly and connect the USB cable to the USB port of computer before the installation of UT-8812 interface converter. USB/DB9M connectors are adopted for the input/output terminal and twisted cable or screened cable can be used. RS-232 communication mode can be implemented without any configuration and the connection and disassembly are very convenient. The converter uses 9 wires which are DCD RXD TXD DTR GND DSR RTS CTS and RI with all signal connections.

## **IV. Performance parameters**

- 1、 Standards: Conforming to USB1.1, 1.0 and 2.0 standards and EIA RS-232 standard
- 2、 USB signals: VCC、 DATA-、 DATA+、 GND、 FG
- 3、 RS-232 signals: DCD RXD TXD DTR GND DSR RTS CTS RI
- 4、 Operating mode: Asynchronous mode, point-to-point mode
- 5、 Data flow control: Automatic data flow control technique is adopted to automatically determine and control the data flow
- 6、 Baud rate: 300-921600bps, automatically detecting the data rate
- 7、 Load capacity: point-to-point communication mode is supported
- 8、 Communication distance: 5 meters for RS-232 interface and no more than 5 meters for the USB port
- 9、 Interface protection:  $\pm 15$ KV ESD portection
- 10、 Interface connection: A type male connector at USB side and DB9 male connector at RS-232 side
- 11、 Signal indication: 2 signal indicators transmit (TXD) receive (RXD) 1 power indicator (POWER)
- 12、 Transmission media: twisted-pair cable or shielded cable

13、 Cable length: 1500mm

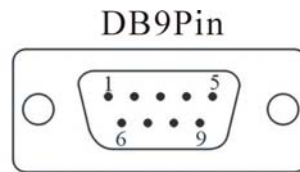
14、 Working environment: -40°C to 85°C , relative humidity of 5% to 95%

15、 Supported OS: Support Windows2000/XP, Vista, server2003, Mac OS-X/OS9, LINUX, Windows7, Server 2008, and 64-bit.

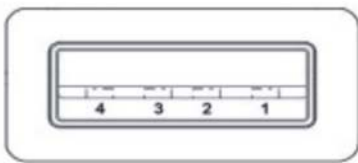
## V. Connector and signals

### 1) Pin assignment of RS-232C

DB9M(PIN)	RS-232C
1	Protective earth
2	Receive data SIN(RXD)
3	Transmit data SOUT(TXD)
4	Data terminal ready DTR
5	Signal ground GND
6	Data set ready DSR
7	Request to send RTS
8	Clear to send CTS
9	Ring indicator RI

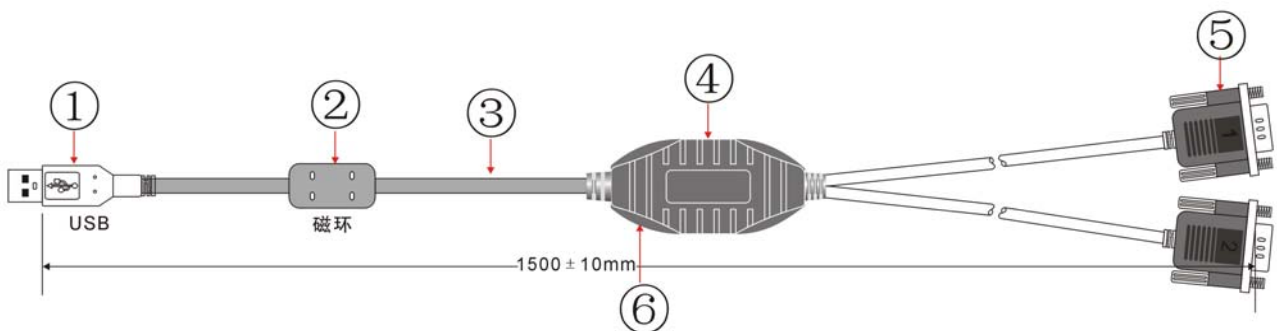


### 2) USB-A type: USB signal input and pin assignment



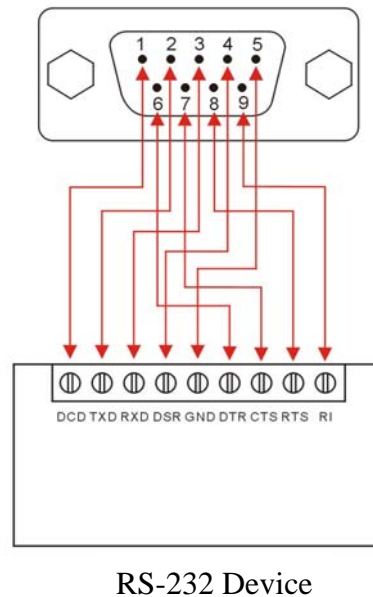
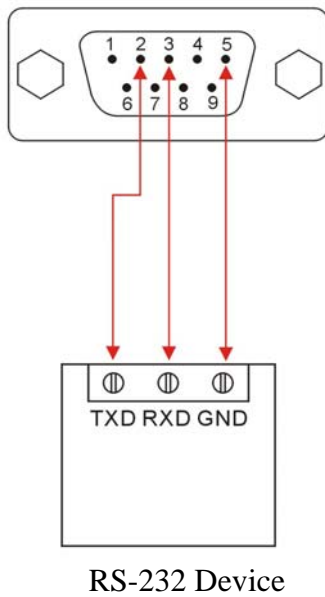
- 1、 VCC
- 2、 DATA-(DM)
- 3、 DATA+(DP)
- 4、 GND

### 6. Product dimension and connection diagram



1. Standard USB A-type male connector
  2. Filter magnetic ring
  3. Screened black standard USB2.0 cable
  4. Aesthetic shell (black)
  5. Standard DB9 male connector
  6. Master chip of FTDT company in England
- USB to RS-232 Communication

- 1、 DCD 2、 RXD 3、 TXD 4、 DTR 5、 GND 6、 DSR 7、 RTS 8、 CTS 9、 RI

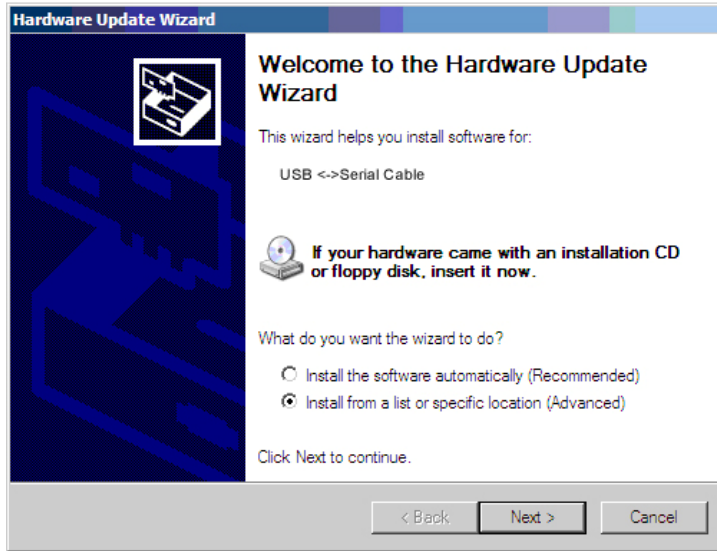


## VII. Faults and trouble-shooting

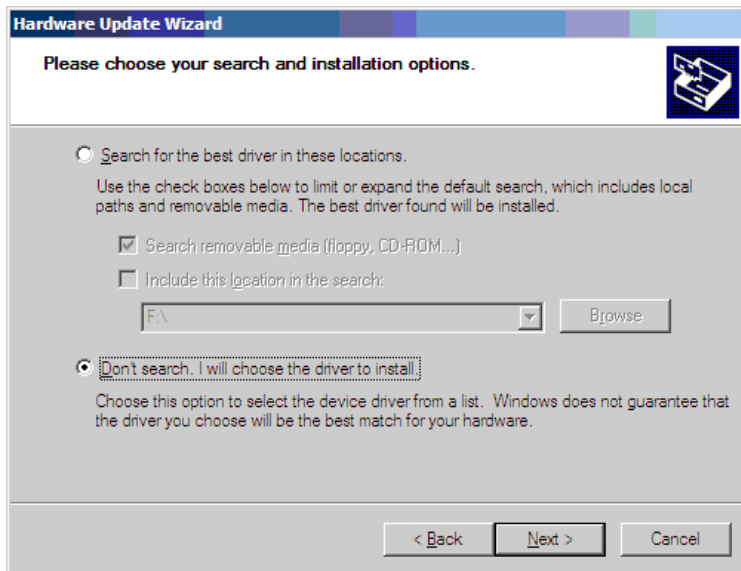
- 1、 Data Communication Failure
  - A、 Check the USB cable connection
  - B、 Check the RS-232 connection
  - C、 Check the power supply
  - D、 Check terminal connection
  - E、 Check receive indicator and see if it flashes
  - F、 Check send indicator and see if it flashes
- 2、 Data loss or error
  - A、 Check consistency between data communication devices' rate and format

### VIII. Driver installation procedure

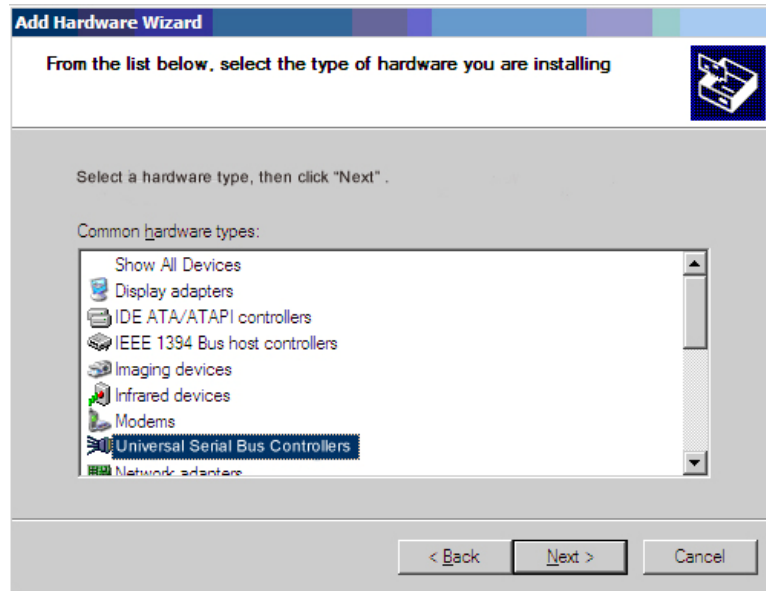
Following dialogue will pop up automatically when the UT-8812 is connected to PC. Please select [install from list or specified location (For advanced user)] and click “Next”.



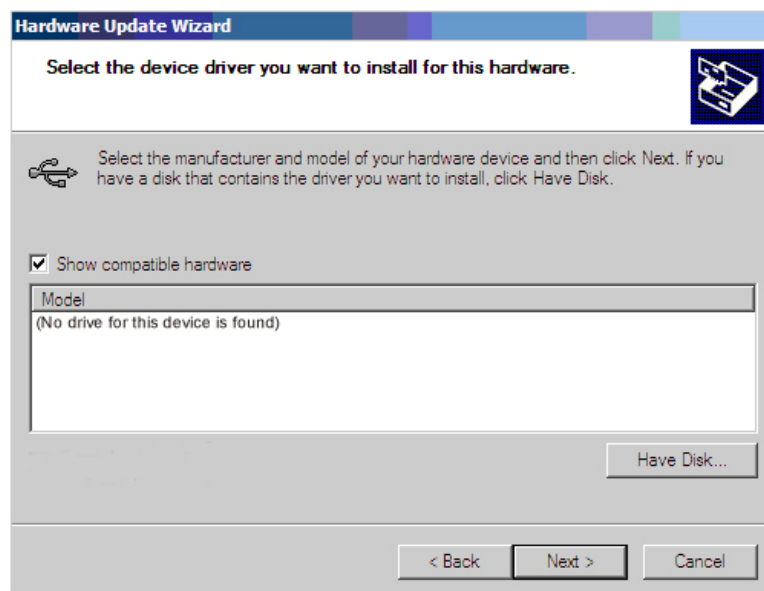
The following dialogue of path selection will be shown, and please select [Don't search. I'll select the driver to be installed by myself (D)] and click “Next”.



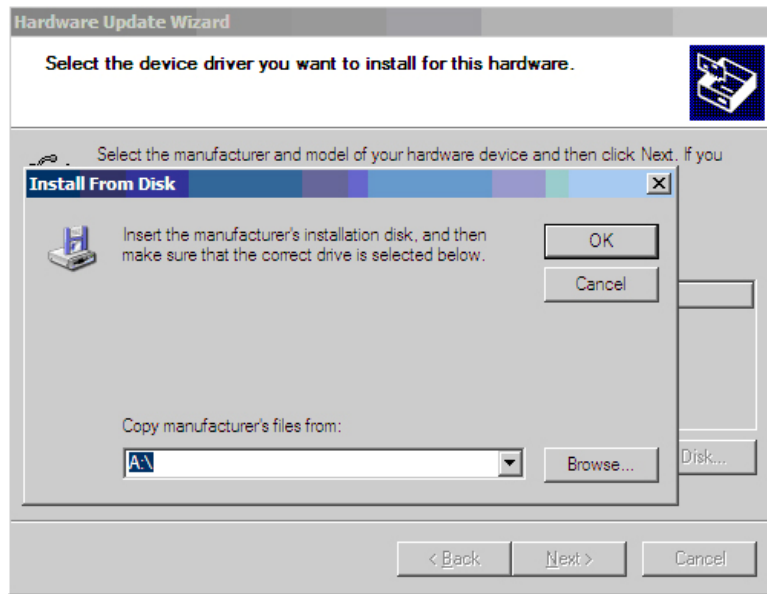
Then the hardware type dialogue will be shown and please scroll to (Universal serial bus controller) and click “Next”.



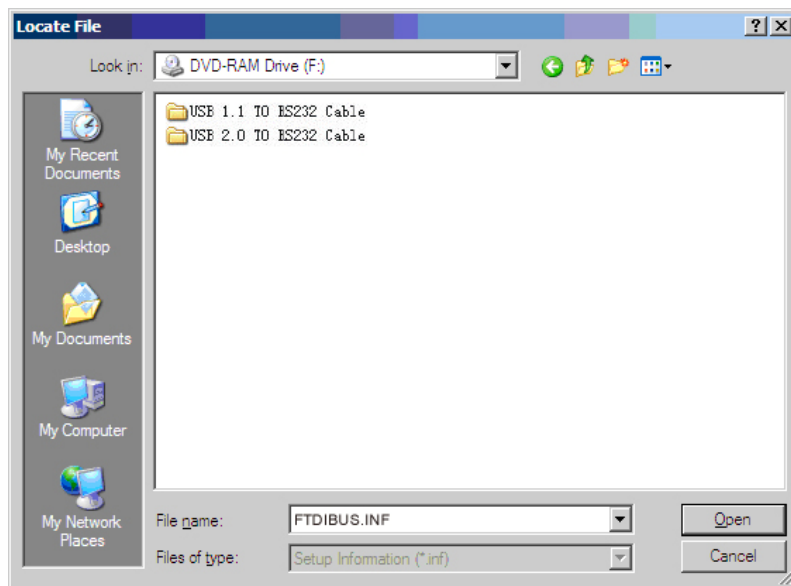
The dialogue of “select the driver to be installed for this hardware” will be shown and please click [install from hard disk (H)]



Then the dialogue of “install form hard disk” will be shown and please click (browse) to select the path of driver.

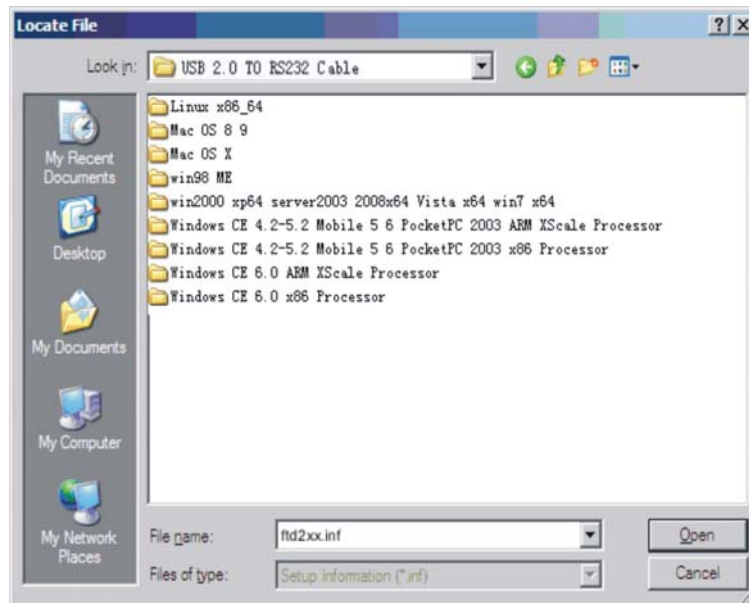


The dialogue of “Find files” will pop up, and then select the CD path. Select (USB 2.0 TO Rs232 Cable) and open or just double click it as shown in the following figure.

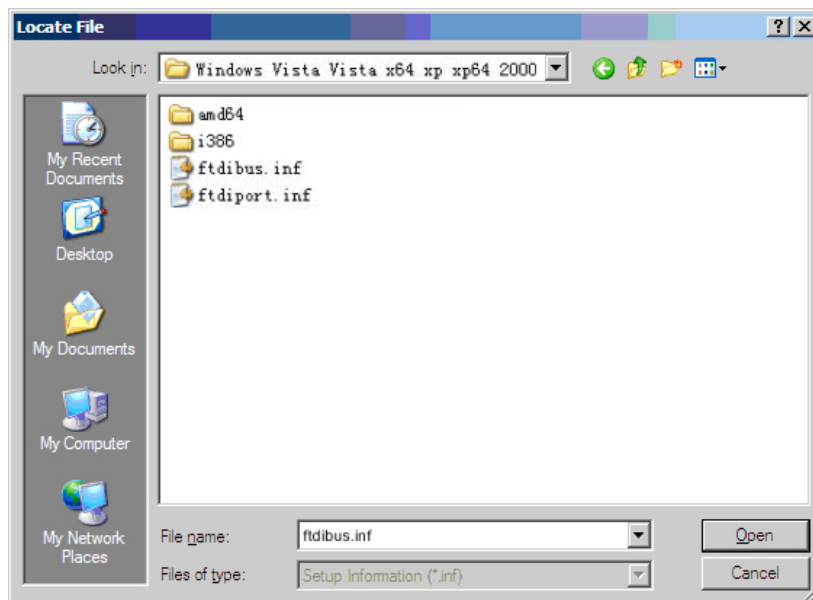




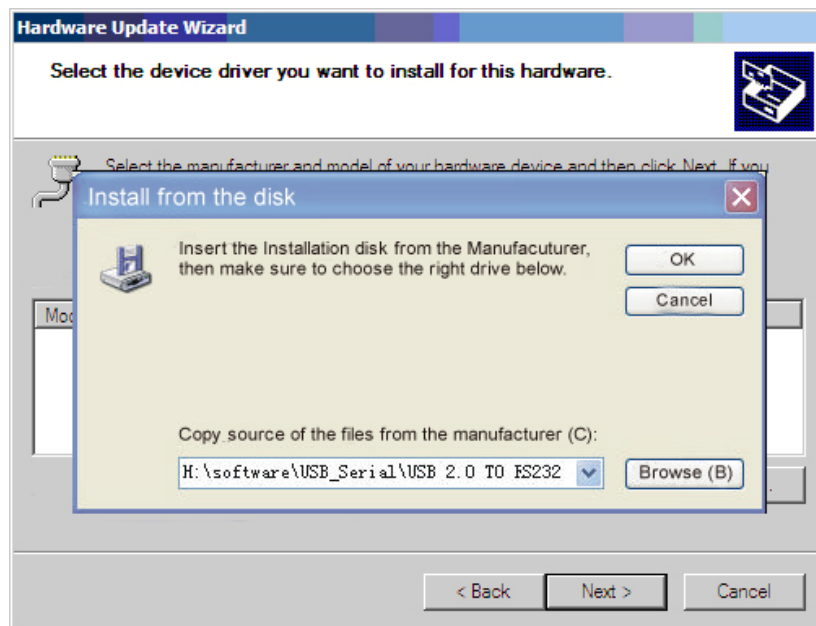
Select the appropriate operating system (such as windows xp), and select (win2000 xp64 server2003 2008x64 Vista x64 win7 x64) and click to open it or double click it.



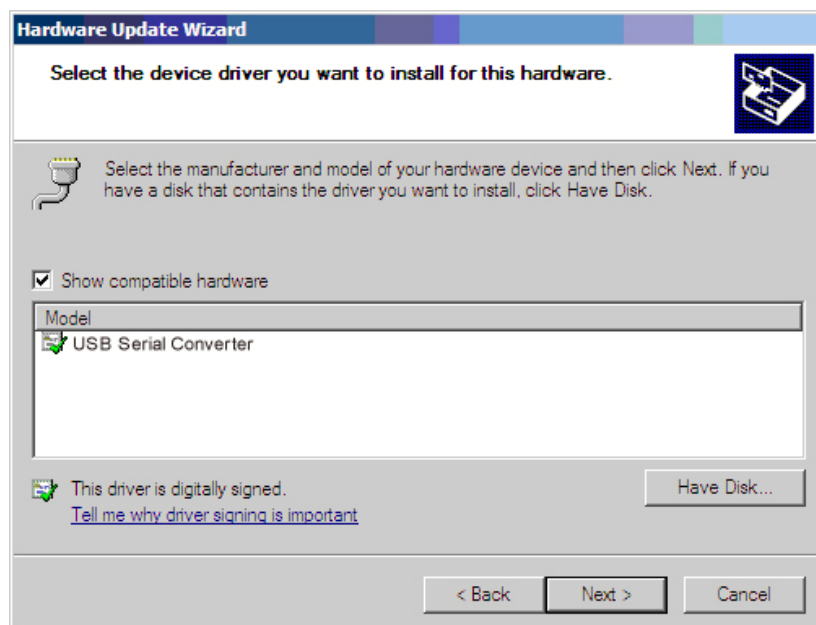
In the popped up dialogue select FTDIBUS.INF and click it to open it, then a new dialogue with selected FTDIBUS file will be shown.



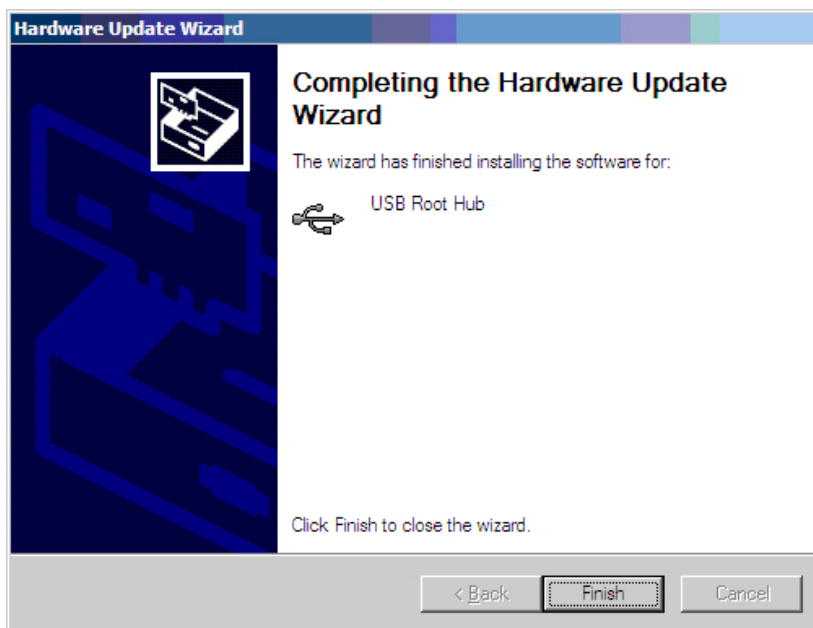
Below is the driver path and then please click (OK).



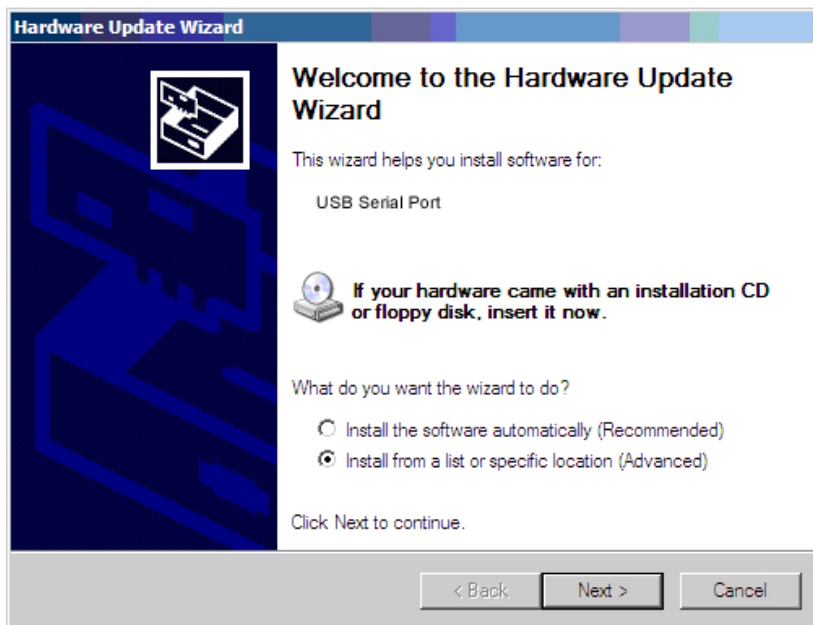
The system has found the hardware installation information of the USB Serial Converter as shown in the figure below, then click “Next”.



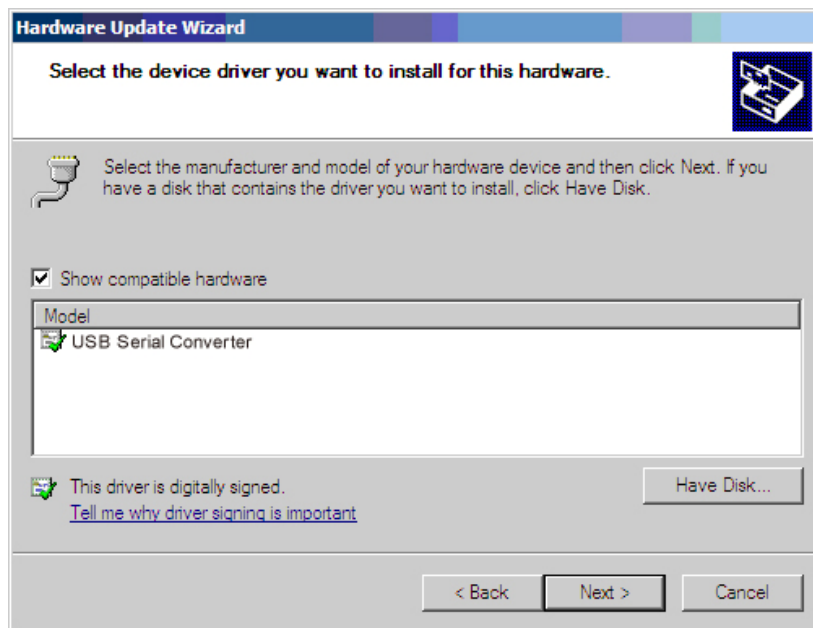
The USB Serial Converter installation wizard is completed just as shown in the following figure. Then the system will detect the USB Serial Port automatically and show the “New hardware found” wizard.



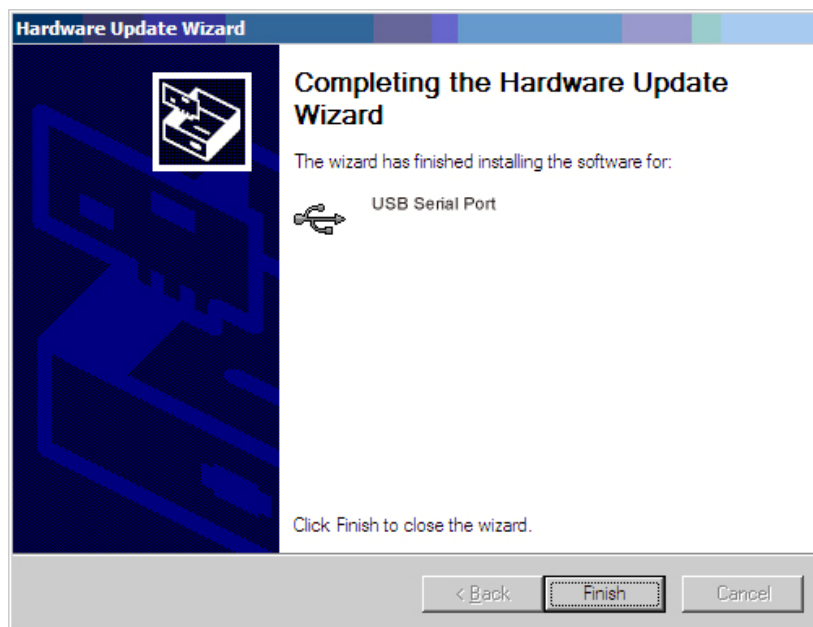
The following dialogue shows the new hardware wizard of USB Serial Port. Please click “Next” and the following steps are just the same as the wizard of USB Serial Converter, so we won’t describe it in detail here.



The system has found the hardware installation information of the USB Serial Port as shown in the figure below, then click “Next”.



The USB Serial Port installation wizard is completed just as shown in the following figure. Now the driver of UT-8812 has been installed completely.



After the driver has been installed correctly please have a look at the device manager to make sure whether there is virtual COM port. If it's the first time to install the USB driver on this system then the default COM ports are COM3 and COM4 as shown in the following figure. Up to now the driver of UT-8812 has been installed successfully.

